

VERTICAL LOUVER KIT INSTALLATION FOR GAS-FIRED UNIT HEATERS

OPTION CD1 FOR MODELS UBX, UBXC, UBZ, UDX, UDXC, UDZ, AND UEZ

- Vertical louvers are designed to direct discharge air to provide a wider throw pattern.
- Refer to the installation manual provided with the heater for important safety information.
- Ensure that all components listed in [Table 1](#) are available before beginning installation.

Table 1. Kit Components											
Component	Model										
	UBX, UBXC, UBZ, UDX, UDXC, UDZ							UEZ			
	Unit Size (MBTUh)										
	30, 45	60, 75	100, 125	150, 175, 200	225, 250	300, 350, 400	55	85	110	130, 180	260, 310
	Kit PN										
	1036298	1036299	1036300	1036301	1036302	1036303	1041266	1041267	1041268	1036304	1036303
Component PN (Quantity)											
Frame, louver	1028413 (1)	1028433 (1)	1028443 (1)	1033695 (1)	1033715 (1)	1033728 (1)	1036666 (1)	1036668 (1)	1036670 (1)	1033902 (1)	1033728 (1)
Louver	1028418 (5)	1028434 (5)	1028441 (5)	1033904 (8)	1033961 (8)	1033730 (8)	1036667 (6)	1036669 (6)	1036671 (7)	1033904 (8)	1033730 (8)
Spring, compression	195046 (5)			195046 (8)			195046 (6)	195046 (6)	195046 (7)	195046 (8)	

INSTALLATION

Install the vertical louver kit as follows (see [Figure 1](#)):

1. If heater is installed, turn OFF gas and electric power. Allow time for louvers to cool before proceeding.
2. Remove each horizontal louver by pushing louver toward spring to release louver.
3. Remove door on right side of unit to access screws that secure face plate assembly (see [Figure 1](#)) to front of unit. Remove screws and remove face plate assembly.
4. In face plate opening for louver frame, remove screws from face plate.

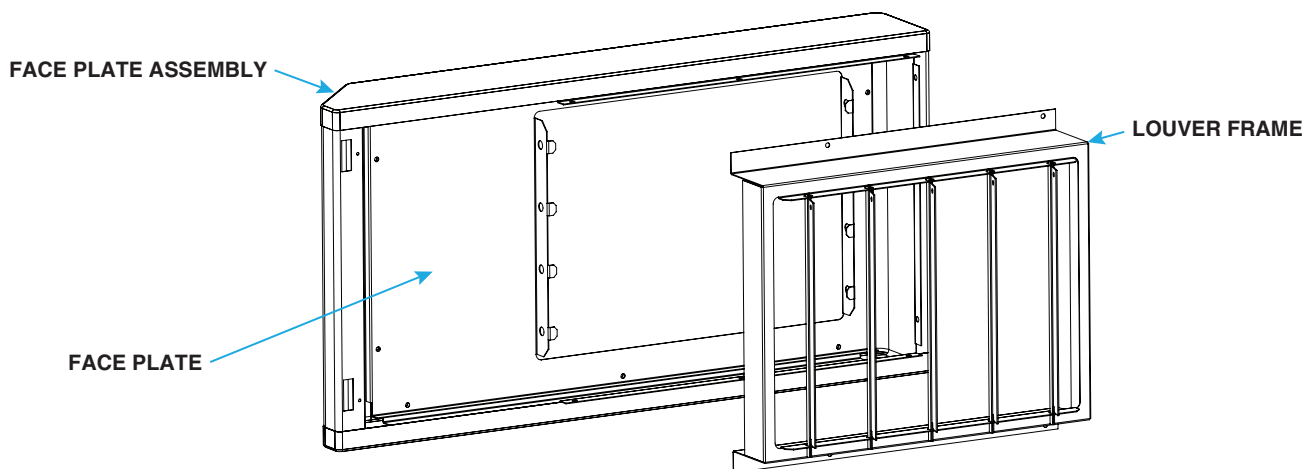


Figure 1. Typical Face Plate Assembly and Louver Frame

INSTALLATION—CONTINUED

5. Position louver frame in face plate so that holes align and secure frame through face plate to face plate assembly using screws removed in step 4.
6. Install face plate assembly and secure to front of unit using screws removed in step 3. Replace door on right side of unit.

NOTE: Before installing the louvers, note the louver curve and determine how the louvers should be positioned to provide the optimal throw pattern. Depending on where the heater is installed and on the desired airflow direction, the louvers may be installed with their curves all in the same direction (either way) or the right half one way and the left the other.

7. Install vertical louvers in louver frame:
 - a. On notched end of louver, slide compression spring over tab.

NOTE: Depending on the desired throw pattern, the end of the louver with the spring can go either into the frame top or bottom.

- b. With wider louver blade facing in toward heat exchanger, push tab with compression spring into hole in top or bottom louver frame (see [Figure 2](#))—spring compresses. Insert tab on other end of louver into opposite louver frame. For left airflow, compress spring into top louver frame. For right airflow, compress spring into bottom louver frame.

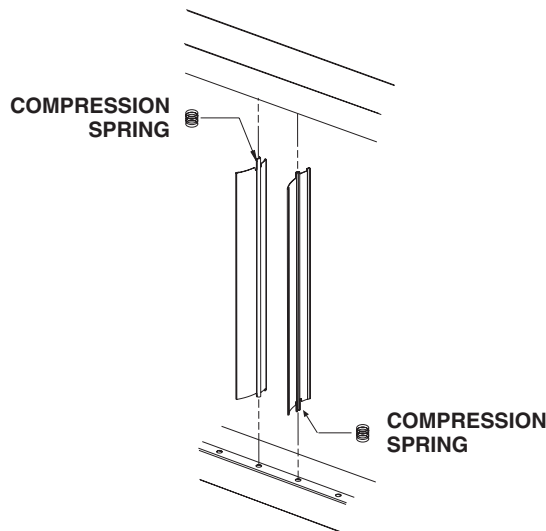


Figure 2. Louver Installation

- c. Install all remaining louvers in accordance with steps 7a and 7b.
8. Install horizontal louvers removed in step 2.

⚠ WARNING ⚠

To avoid burns, adjust louvers while heater is not in operation. If louvers must be adjusted while heater is operating, wear protective gloves.

9. Adjust horizontal and vertical louvers to provide desired throw pattern.
10. Turn ON gas and electric power.
11. Light heater in accordance with lighting instructions and check for proper operation.

