

Job Name: _____

Location: _____

Engineer: _____

Submitted To: _____

Submitted By: _____

Reference: _____

Date: _____

For: File Resubmit
 Approval Other _____

ECOⁱ™ Model: S-07MK2U6

Indoor Unit: Wall Mounted

Capacities

Cooling Capacity (BTU/h)	7,500
Heating Capacity (BTU/h)	8,500
Sensible Heat Ratio	0.71

Cooling Mode Nominal Conditions:

Indoor: (°F DB/°F WB)	80/67
Outdoor: (°F DB)	95
Pipe Length (Ft.)	25
Level Difference (Ft.)	0

Heating Mode Nominal Conditions:

Indoor: (°F DB)	70
Outdoor: (°F DB/°F WB)	47/43
Pipe Length (Ft.)	25
Level Difference (Ft.)	0

Unit Data:

Refrigerant	410A
Metering Device [Electronic Expansion Valve]	EEV
Liquid Piping (In.)	1/4
Gas Piping (In.)	1/2
Drain Piping (OD) (In.)	45/64
Coil Face Area (Sq. Ft./Number of rows)	2.07/2
Weight (lbs.)	20
Sound Level (High/Medium/Low) 5' below unit	32/36/40

Power Supply:

V/PH/Hz.	208/230/1/60
Minimum Circuits (MCA) (A)	15
Nominal Power Input- Cooling (W)	25
Full Load Amps	0.23
Max. Overcurrent Protection (MOCP)	15
Nominal Power Input- Heat	25



Fan:

Type	Centrifugal
Drive	Direct
Fan Motor Output (W)	30
Airflow Rate (Low/Medium/High)	230/265/320

Features:

Built-in Drain Pump (24 in. lift)
 Bottom or Rear Return Air
 Wired, Wireless or Simple Remote
 Remote Sensor Option

Parts Warranty: One year, Optional 10 Year extended warranty

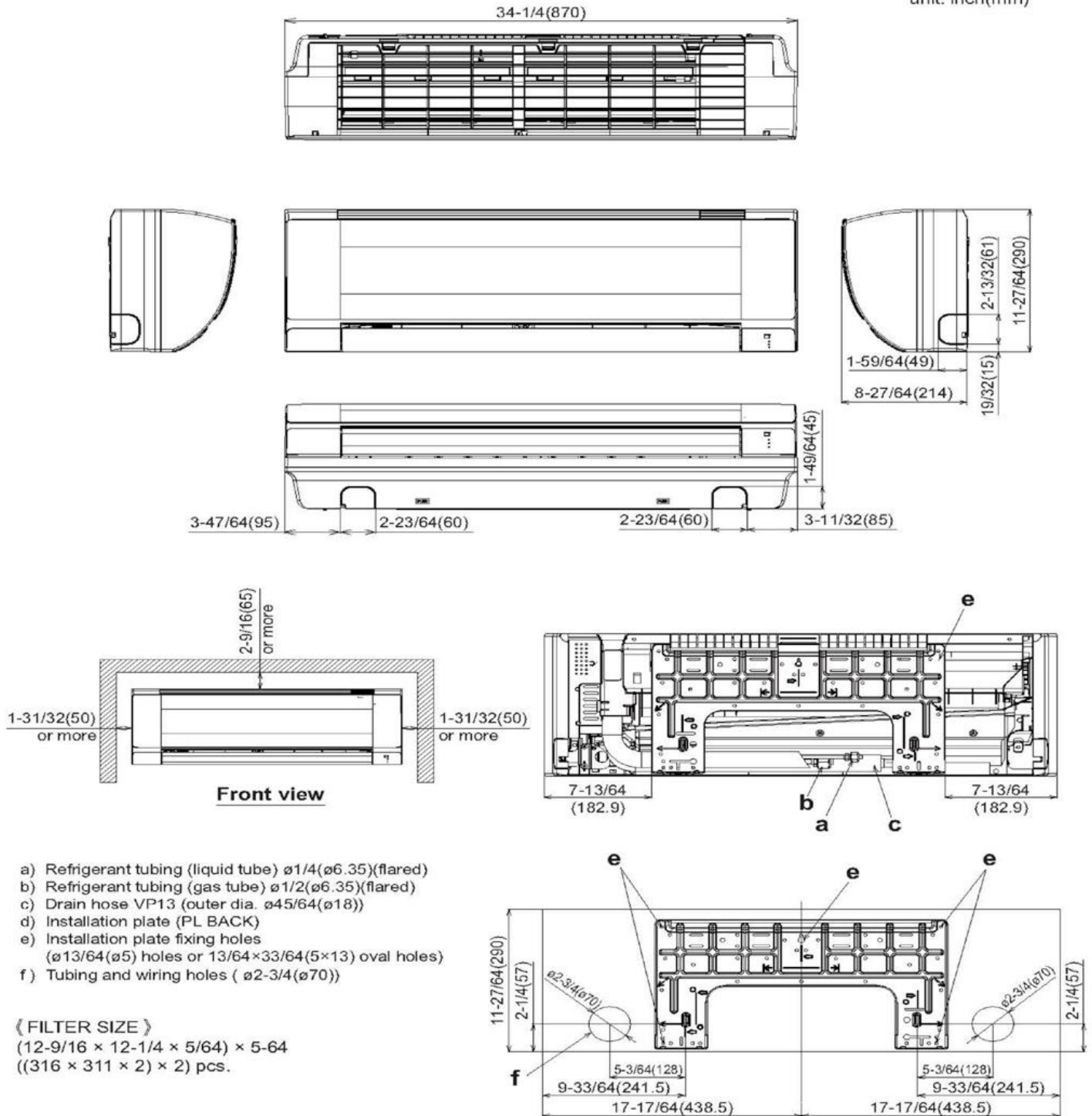
*Data is subject to change

1. Click Here [Panasonic Air Condition](#) and click on "mini-split and VRF support resources" tab for information on system manuals, installation guides, training and warranty information.

Dimensions

Indoor Unit: S-07MK2U6 / 09MK2U6 / 12MK2U6

unit: inch(mm)



Key Features

- | Eco-friendly R410A Refrigerant
- | 208/230V, 1 Phase, 60Hz
- | Easy Wall Mount for Any Application
- | Washable Long-Life Filter
- | Washable Front Panel
- | Electronic Expansion Valve (EEV) for accurate Refrigerant Control
- | ECONAVI Connection Possible
- | New Flash Panel design
- | Wired or Wireless Remote Control (Optional)
- | (1) Wired remote controller can control up to a maximum of (8) indoor units
- | Automatic or 3 Fan Speeds Control
- | Easy Service
- | DC Motor
- | External heater output signal

Accessories

Optional Accessories		
CZ-RTC5B	Wired Remote Controller	High-Spec Wired Remote Controller Touch key operation, weekly timer, energy saving functions etc.
CZ-RTC4	Wired Remote Controller	7 Day setback, mode, temp, service, etc.
CZ-RE2C2	Simple Remote Controller	On/Off, Mode, Temp, Fan Speed, Flap, Service Function
CZ-RWSK1U	Wireless Remote Controller	For use with PK, MK and MY models & for use with CZ-RWSC3
CZ-CAPC2U	Interface Adaptor	For On/Off Control, External Device
CZ-64ESMC2U	System Controller	Set individual unit temps for up to 4 zones, 16 indoor units max per zone, Schedule Timer
CZ-256ESMC2U	Intelligent Controller (Web Enabled)	Controls max of 256 indoor units with CZ-CFUNC1U or 128 indoor units as standalone device
CZ-CFUNC1U	Communications Adaptor	Used with intelligent controller and BMS interface (USPA-AC-BAC-128)
CZ-CLNC1U	Lonworks Interface	Maximum of 64 Indoor Units
CZ-CAPRA1	RAC Adapter	This adapter interfaces residential models and enables them to be controlled by ECOi central controllers
CZ-CSRC3	Remote Sensor	
USPA-RC2-BAC-1	BACNET IP or MSTP Device	1 device per indoor unit
USPA-RC2-WIFI-1	Wi-Fi Internet Control Device	For ECOi and PACi Indoor Units (1 per indoor unit)
USPA-AC-BAC-16	BACnet IP & MSTP Server	Works with up to 16 indoor units
USPA-AC-BAC-64	BACnet IP & MSTP Server	Works with up to 64 indoor units
USPA-AC-BAC-128CA	BACnet IP Server	Works with up to 128 indoor units
USPA-AC-MOD-16	Modbus Server RTC & TCP	Works with up to 16 indoor units
USPA-AC-MOD-64	Modbus Server RTC & TCP	Works with up to 64 indoor units
USPA-AC-MOD-128	Modbus Server TCP	Works with up to 128 indoor units
USPA-AC-KNX-16	KNX	Works with up to 16 indoor units
USPA-AC-KNX-64	KNX	Works with up to 64 indoor units
USPA-RC-KNX-1	KNX- FS & FSM	Has lines with 4 binary inputs
USPA-RC2-KNX-1	KNX- ECOi & PACi	Has lines with 4 binary inputs
RCS4MHVB-J	Wireless Remote Controller Bracket	
CZ-CENSCI	ECONAVI Sensor	For Use with Model 2U6 Indoor Units <u>ONLY</u> ; <u>ONLY</u> works with CZ-RTC5B & CZ-RTC4 controllers

Schneider Electric Accessories		
SER8150R0B1194	Electric Thermostat w/ PiR	Connects to the R1 &R2 terminals of the indoor units. Comes with Fascia color plate options (silver, white, glossy white, light tan wood, dark brown wood, brushed silver finish)
SER8150R5B1194	Electric Thermostat w/ PiR	Connects to the R1 &R2 terminals of the indoor units. Comes with Fascia color plate options (silver, white, glossy white, light tan wood, dark brown wood, brushed silver finish)
VCM800V5094P	Wireless Communication Card	Wireless communication card installs directly into the SER8150 thermostats
MPM-RAEC-5045	Controller Cable Extension	
SED-CO2-G-5045	CO2 Detector	Monitor Indoor air quality
SED-WDC-G-5045	Door and window contact	Door and window contact detection sensor (monitors opening and closing)
SED-MTH-G-5045	Wall and ceiling occupancy sensor	Wall and ceiling sensor to detect absence or presence of occupants
SED-WLS-G-5045	Water sensing detector	Two sensing pads under the body to activate when water is present between the two pads