

Climate 5000 Series

18K BTU Single Zone Regular System

Wall Mounted IDU

Engineering
Submittal
Sheet



BOSCH

Overview and Project Information



Project Name	
Location	
Architect	
Engineer	
General Contractor	
Reference #	

18K Btu Single Zone Regular System - Wall Mounted IDU

Indoor model #	8733953096
Indoor model name	BMS500-AAU018-1AHWXB
Outdoor model #	8733942700
Outdoor model name	BMS500-AAS018-1CSXRA

Performance Data

Mode	Parameter	Value
Cooling	Capacity (Btu/h):	18000
	Input (W)	1385
	Rated current (A)	6.2
	EER (Btu/w)	13.0
	SEER (Btu/w)	21
Heating at 47°F	Capacity (Btu/h)	18000
	Input (W)	1550
	Rated current (A)	6.9
	COP (W/W)	3.40
	HSPF4	10.4
	HSPF5	9.0

Electrical Data

Power supply (V / Ø / Hz)	208-230 / 1 / 60
Min. Circuit ampacity (A)	15.0
Max. Fuse (A)	20.0

Compressor Data

Type:	Rotary
Refrigerant oil /oil charge (ml)	ESTER OIL VG74 / 450
Input (W)	1035
Rated current (RLA / A)	10.50

Piping

Refrigerant Charge (oz/g)	68.8 / 1950
Liquid side (in/mm)	1/4" / Ø6.35
Gas side (in/mm)	1/2" / Ø12.7
Additional charge per ft (oz)	0.16
Refrigerant precharge (ft/m)	25 / 7.6
Max. refrigerant pipe length (ft/m)	98 / 30
Max. difference in height (ft/m)	66 / 20

Operation Range

ODU	Cooling (°F / °C)	-13~122 / -25~50
	Heating (°F / °C)	-13~86 / -25~30
IDU	Cooling (°F / °C)	62~90 / 17~32
	Heating (°F / °C)	32~86 / 0~30

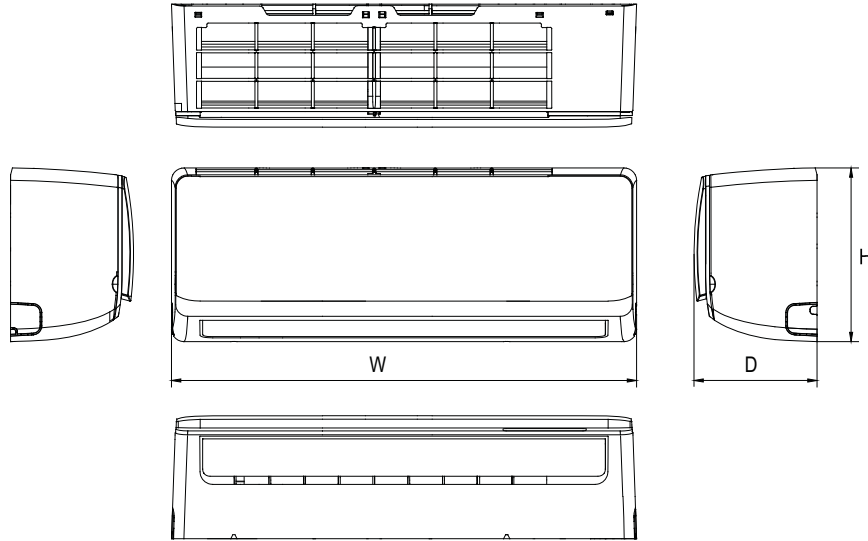
System Data

Refrigerant Type	R410A	
Design pressure (PSIG)	550/340	
Dehumidification (pts/hr)	3.79	
IDU	Fan motor qty (ea)	1
	Fan motor input (W)	58.0
	Fan motor RLA (A)	0.40
	Fan speed (RPM)	1100 / 900 / 700
	Air flow, H / M / L (CFM)	599 / 411 / 353
	Noise level, H / M / L (dB(A))	45.5 / 36 / 26.5
	Net weight (lbs / kg)	26.9 / 12.2
	Gross weight (lbs / kg)	34.8 / 15.8
ODU	Fan motor qty (ea)	1
	Fan motor input (W)	115
	Fan motor RLA (A)	0.60
	Fan motor speed (RPM)	850 / 750 / 700
	Air flow, Max (CFM)	1355
	Noise level, Max (dB(A))	60.0
	Net weight (lbs / kg)	106.9 / 48.5
Gross weight (lbs / kg)	112.5 / 51.0	
Accessories		
BMS-WT1-XXX (8733953127)	Wired Wall Thermostat	
BMS-DRY-XXX (8733953129)	24V Interface	
BMS-PK2-7X1 (8733951011)	25ft Lineset	
BMS-PK2-5X1 (8733951017)	16ft Lineset	

Climate 5000 Series
18K Btu Single Zone Regular System - Wall Mounted IDU

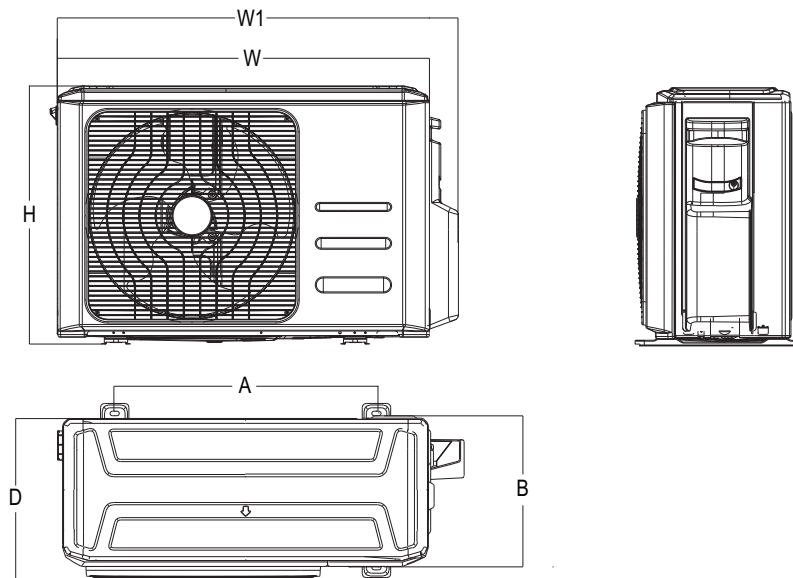


Indoor Unit Dimensions and Connections



Model	W (in)	D (in)	H (in)
BMS500-AAU018-1AHWXB	39.0	8.6	12.4

Outdoor Unit Dimensions and Connections



Model	W (in)	D (in)	H (in)	W1 (in)	A (in)	B (in)
BMS500-AAS018-1CSXRA	33.3	14.3	27.6	36	21.3	13.8