

Climate 5000 Series

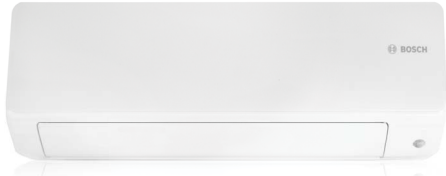



9K BTU Single Zone Regular System

Wall Mounted IDU

Engineering
Submittal
Sheet



BOSCH

Overview and Project Information	
   	Project name
	Location
	Architect
	Engineer
	General contractor
	Reference #

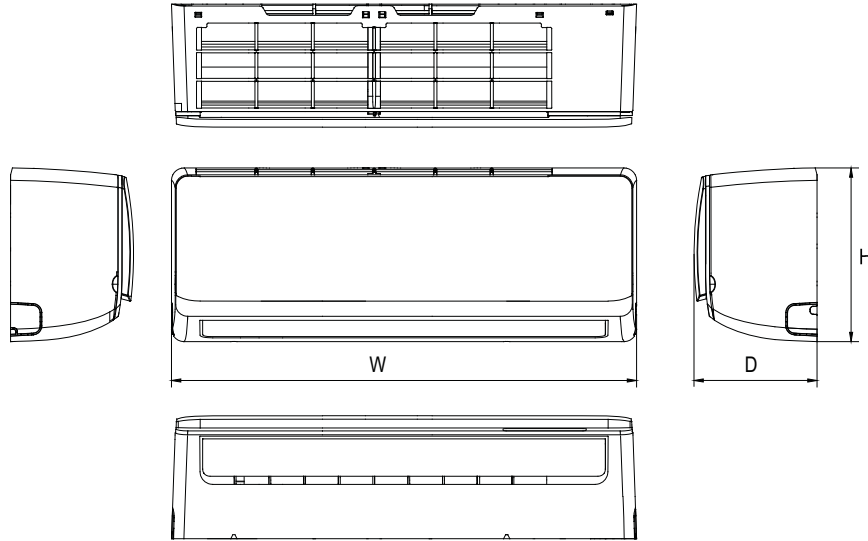
9K Btu Single Zone Regular System - Wall Mounted IDU		
Indoor part number	8733956175	
Indoor model number	BMS500-AAU009-1AHWXC	
Outdoor part number	8733956189	
Outdoor model number	BMS500-AAS009-1CSXRC	
Performance Data		
Cooling	Capacity (Btu/h):	9000
	Input (W)	600
	Rated current (A)	2.61
	EER (Btu/w)	15.0
	SEER (Btu/w)	25.5
Heating at 47°F	Capacity (Btu/h)	10000
	Input (W)	742
	Rated current (A)	3.23
	COP (W/W)	3.95
	HSPF4	12.2
	HSPF5	10.0
Electrical Data		
Power supply (V / Ø / Hz)	208-230 / 1 / 60	
Min. circuit ampacity indoor/outdoor (A)	3.0 / 13.0	
Max. fuse indoor/outdoor (A)	15.0 / 15.0	
Compressor Data		
Type:	Rotary	
Refrigerant oil /oil charge (ml)	VG74 / 310	
Input (W)	790	
Rated current (RLA/A)	7.6	
Piping		
Refrigerant Precharge (oz/g)	38.1 / 1080	
Length for precharge (ft/m)	25 / 7.6	
Liquid side (in/mm)	1/4" / Ø6.35	
Gas side (in/mm)	3/8" / Ø9.52	
Additional charge per ft (oz/g)	0.16 / 15	
Max. refrigerant pipe length (ft/m)	98 / 30	
Max. difference in height (ft/m)	66 / 20	

Operation Range		
ODU	Cooling (°F / °C)	-13~122 / -25~50
	Heating (°F / °C)	-13~86 / -25~30
IDU	Cooling (°F / °C)	60~90 / 16~32
	Heating (°F / °C)	32~86 / 0~30
System Data		
Refrigerant type		R410A
Design pressure (PSIG)		550/340
Dehumidification (pts/hr)		2.12
IDU	Fan motor model	ZKFP-20-8-6-7
	Fan motor qty (ea)	1
	Fan motor input (W)	50
	Fan speed (RPM)	1020 / 892 / 828
	Air flow, H / M / L (CFM)	335.29 / 229.41 / 176.47
	Noise level, H / M / L (dB(A))	38 / 34 / 23
	Net weight (lbs / kg)	25.35 / 11.5
	Gross weight (lbs / kg)	30.64 / 13.9
ODU	Fan motor model	ZKFN-34-10-1-3
	Fan motor qty (ea)	1
	Fan motor input (W)	100.3
	Fan motor speed H / L (RPM)	800 / 600
	Air flow, Max (CFM)	1294
	Noise level, Max (dB(A))	53.0
	Net weight (lbs / kg)	63.7 / 28.9
Gross weight (lbs / kg)	69.0 / 31.3	
Accessories		
BMS-WT1-XXC (8733956179)	Wired Wall Thermostat	
BMS-DRY-XXX (8733953129)	24V Interface	
BMS-PK1-7X1 (8733951010)	25ft Lineset	
BMS-PK1-5X1 (8733951016)	16ft Lineset	

Climate 5000 Series -
9K Btu Single Zone Regular System - Wall Mounted IDU

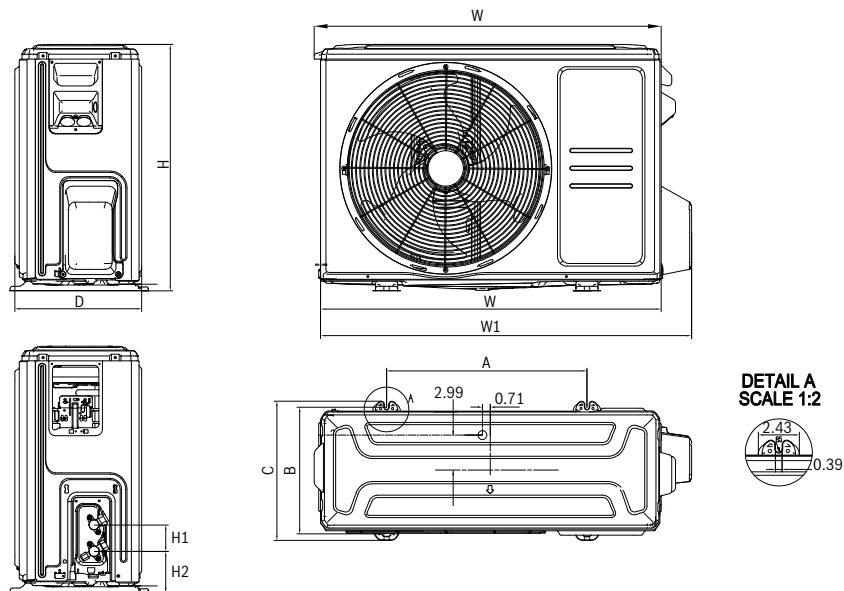


Indoor Unit Dimensions and Connections



Model	W (in)	D (in)	H (in)
BMS500-AAU009-1AHWC	33.4	9.1	11.7

Outdoor Unit Dimensions and Connections



Model	W (in)	D (in)	H (in)	W1 (in)	W2 (in)	H1 (in)	H2 (in)	A (in)	B (in)	C (in)
BMS500-AAS009-1CSXRC	30.12	11.26	21.85	33.0	30.87	2.36	3.67	17.8	11.26	12.36