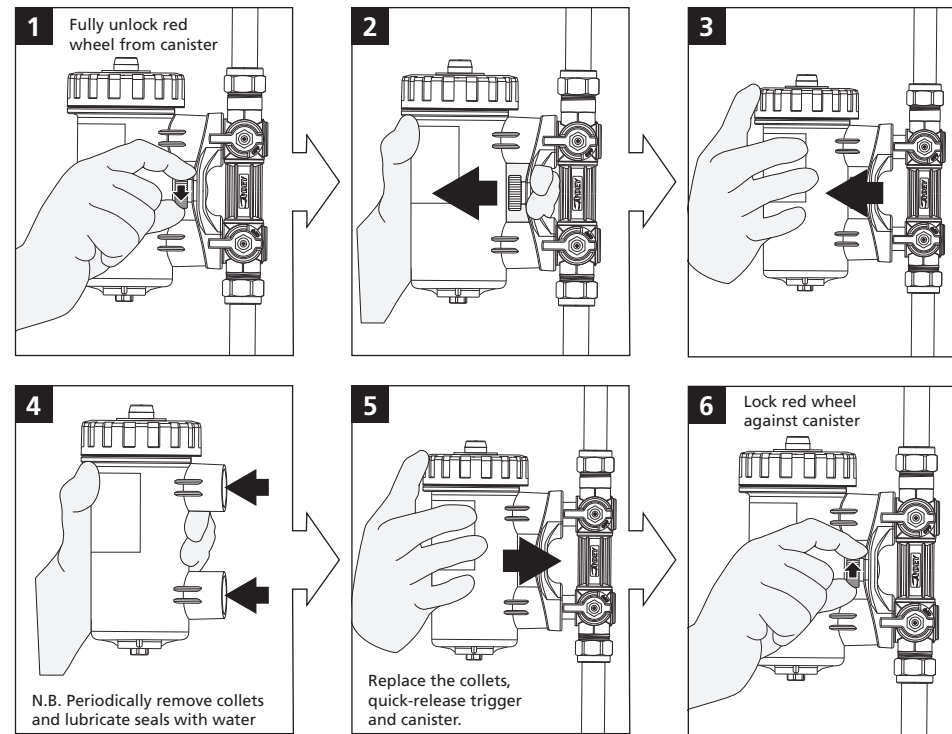


## Quick-release trigger

MagnaClean® Professional2 incorporates a secure, quick-release, trigger which enables the filter to be removed and re-installed in seconds.

The industry leading connections are an integral part of the new MagnaClean Professional2 design. They enable easy and speedy filter removal during annual servicing or to undertake a MagnaCleanse system flush. This also makes it ideal for systems where there is little room to install a filter.

The following instructions are designed to support engineers in the safe and effective servicing of MagnaClean Professional2 using the quick-release trigger.



## MagnaClean Professional2

MagnaClean® Professional2 is a proven, high efficiency, full-flow, magnetic and non-magnetic filter designed to protect domestic central heating systems removing virtually 100% of suspended black iron oxide.

In an age of advanced, high efficiency gas and oil boilers, there's never been a greater need to safeguard what amounts to one of the most important and expensive appliances in the modern home – The central heating system. Even a small build-up of iron oxide debris in a modern efficiency boiler results in substantial efficiency loss and energy wastage. Not only does the system perform inadequately, it costs more to run and maintain.

**IMPORTANT** Always follow the Standard Electrical Best Practice guidelines when installing a MagnaClean filter. A copy of these guidelines can be found at [www.hse.gov.uk/electricity](http://www.hse.gov.uk/electricity)

The inlet and outlet on MagnaClean Professional2 are reversible and there is no flow restriction. Following installation, don't forget to complete the warranty card. Alternatively, complete the registration online at [www.adey.co.uk](http://www.adey.co.uk)  
This product is backed by a two year limited guarantee.



### FOR BEST RESULTS

Install and service with MC1+, the new advanced system inhibitor from the UK's No 1 manufacturer of magnetic filters.

**ADEY**  
PROFESSIONAL HEATING SOLUTIONS

Telephone: 01242 546717 Email: [info@adey.com](mailto:info@adey.com)

[www.adey.com](http://www.adey.com)

Produced from recycled material  
A carbon neutral company

# MagnaClean® Professional 2

Installation and servicing  
instructions



M07545 LF2-01-00587-01

**ADEY**  
PROFESSIONAL HEATING SOLUTIONS



# Installation

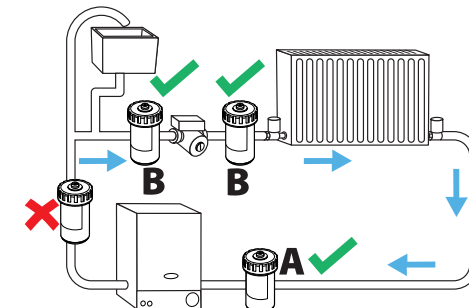
**MagnaClean® Professional2** has been developed by the company that pioneered magnetic filtration. ADEY's filters protect more than a million central heating systems in UK homes removing virtually 100% of the damaging suspended black iron oxide sludge that builds up in all heating systems.

The dual-action filter can be installed anywhere on the main circuit. However, to achieve the best level of protection for the boiler, it is recommended that **MagnaClean Professional2** is fitted after the last radiator and before the boiler.

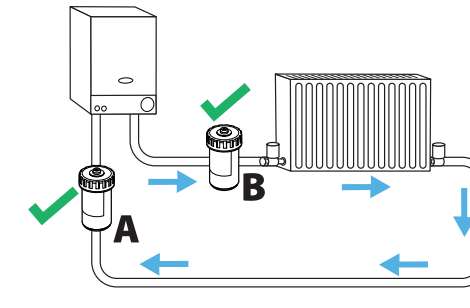
In determining a suitable location, it is important to allow adequate access for servicing.

The following instructions are designed to support engineers in the safe and effective installation and servicing of **MagnaClean Professional2** and should be followed at all times.

Any queries should be directed to your supervisor or ADEY direct on: 01242 546700.



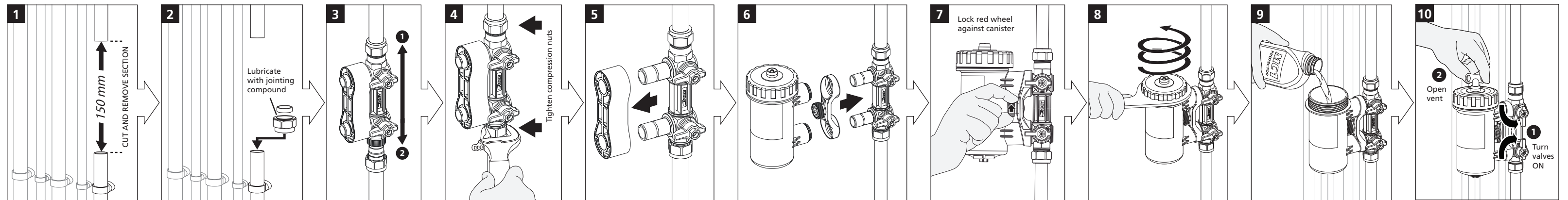
Open vented system



Combi/Sealed system

In both diagrams, position **A** is best practice, while **B** is suitable.

N.B. We firmly recommend **MagnaClean Professional2** is installed and serviced by a qualified heating engineer.



# Servicing

Your system is protected by  
**MagnaClean® Professional2**  
Annual service required  
[www.adey.co.uk](http://www.adey.co.uk)

