

ODL Sublime High-End Baseboard Heater



Features

Color

- Standard: white, metallic charcoal.
- Optional (upcharge applicable): almond, metallic silver, bronze, aluminum, semi-gloss black, sand.
- Custom colors available upon request.

Finish

- Standard: epoxy/polyester powder paint.

Voltage

- 120V, 208V, 240/208V, 277V, 347V, 480V, 600V, 1-phase.

Construction

- Robust aluminum front cover.
- 20-gauge satin coat steel cabinet.
- Linear high-limit temperature control with automatic reset.
- High altitude version available (-HA).

Heating element

- Stainless steel tubular heating element with aluminum fins.
- Floating heating element on high-temperature nylon bushings reducing expansion noises.

Watt density

- Standard watt density.
- Low watt density.

Control

- Built-in thermostat available with a control knob or tamperproof.
- Mechanical or electronic relays available (installed on the right end only).
- Compartment for low voltage connections (located directly under the junction box) to facilitate the installation of low voltage relay.

Ouellet highly recommends the use of an electronic wall thermostat for greater comfort.

Installation

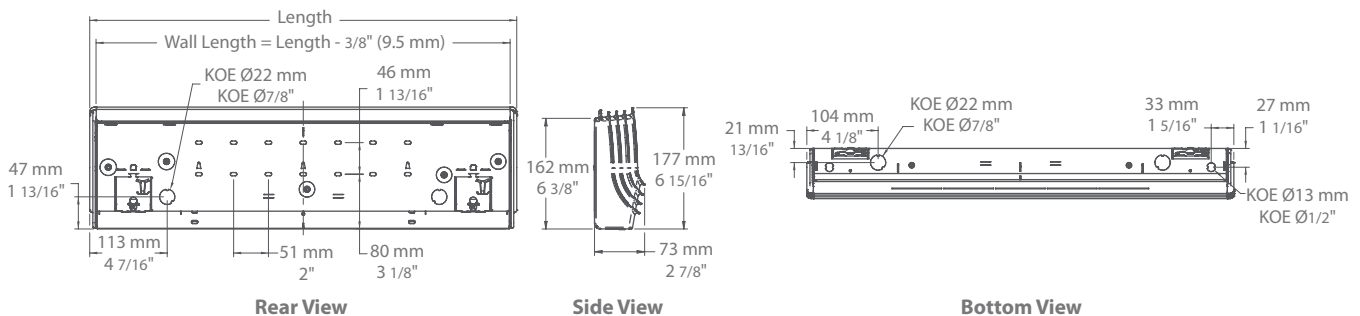
- Installation directly on the floor.
- Connection box at both ends.
- Single-screw built-in wire holder.
- Raceway for ease of installation.
- Two rows of mounting holes spaced at 2 in. (51 mm) intervals for ease of installation.

Warranty

- 10-year warranty against defects.
- Heating element has a lifetime warranty for the initial end user.

Application

- Dining room-kitchen, living room, family room, bedroom, bay window, office building, commercial building.



ODL

Standard Watt Density Models

Watts	Watts 240/208V	Product #				Length ¹		Weight	
		120V	208V	240/208V	277V	in.	mm	lb	kg
300	300/225	ODLU0302	ODLU0308	ODLU0300	-	24 5/8	625	7.4	3.4
500	500/375	ODLU0502	ODLU0508	ODLU0500	ODLU0577	29 1/2	750	8.5	3.9
750	750/563	ODLU0752	ODLU0758	ODLU0750	ODLU0777	39 1/2	1004	10.7	4.9
1000	1000/750	ODLU1002	ODLU1008	ODLU1000	ODLU1077	49 13/16	1265	13.0	5.9
1250	1250/938	ODLU1252	ODLU1258	ODLU1250	ODLU1277	59 1/4	1506	15.1	6.9
1500	1500/1125	ODLU1502	ODLU1508	ODLU1500	ODLU1577	68	1727	17.0	7.7
1750	1750/1313	-	ODLU1758	ODLU1750	ODLU1777	77 5/16	1964	19.1	8.7
2000	2000/1500	-	ODLU2008	ODLU2000	ODLU2077	86 1/8	2187	21.0	9.6
2250	2250/1688	-	ODLU2258	ODLU2250	ODLU2277	94 15/16	2412	23.0	10.5
2500	2500/1875	-	ODLU2508	ODLU2500	ODLU2577	104 1/16	2644	25.0	11.4

Low Watt Density Models

Watts	Watts 240/208V	Product #				Length ¹		Weight	
		120V	208V	240/208V	277V	in.	mm	lb	kg
300	300/225	ODLU0302-750	ODLU0308-750	ODLU0300-750	ODLU0377-750	29 1/2	750	8.5	3.9
500	500/375	ODLU0502-1004	ODLU0508-1004	ODLU0500-1004	ODLU0577-1004	39 1/2	1004	10.7	4.9
750	750/563	ODLU0752-1265	ODLU0758-1265	ODLU0750-1265	ODLU0777-1265	49 13/16	1265	13.0	5.9
1000	1000/750	ODLU1002-1506	ODLU1008-1506	ODLU1000-1506	ODLU1077-1506	59 1/4	1506	15.1	6.9
1250	1250/938	ODLU1252-1727	ODLU1258-1727	ODLU1250-1727	ODLU1277-1727	68	1727	17.0	7.7
1500	1500/1125	ODLU1502-2187	ODLU1508-2187	ODLU1500-2187	ODLU1577-2187	86 1/8	2187	21.0	9.6
1750	1750/1313	-	ODLU1758-2412	ODLU1750-2412	ODLU1777-2412	94 15/16	2412	23.0	10.5
2000	2000/1500	-	ODLU2008-2644	ODLU2000-2644	ODLU2077-2644	104 1/16	2644	23.0	10.5
2250	2250/1688	-	ODLU2258-2644	ODLU2250-2644	ODLU2277-2644	104 1/16	2644	23.0	10.5

Options

Product #	Description	Factory Installed	Kit
ODL-DIS20 ⁴	Disconnect switch, double-pole, 20A at 277V max.	✓	✓
ODL-HA	Linear high-limit temperature control for high altitude (3000 ft. to 8200 ft.)	✓	-
ODL-R-347	Single-pole relay, coil 24V, without transformer: 22A at 120V, 208V, 240V - 18A at 347V	✓	✓
ODL-R-600	Single-pole relay, coil 24V, without transformer, 10A at 600V	✓	✓
ODL-RT-120 ²	Single-pole relay, coil 24V, with transformer, 25A at 120V (2-wire only)	✓	✓
ODL-RT-208	Single-pole relay, coil 24V, with transformer, 22A at 208V	✓	✓
ODL-RT-240	Single-pole relay, coil 24V, with transformer, 22A at 240V	✓	✓
ODL-RT-277	Single-pole relay, coil 24V, with transformer, 19A at 277V	✓	✓
ODL-RT-347	Single-pole relay, coil 24V, with transformer, 18A at 347V	✓	✓
ODL-RT-600 ²	Single-pole relay, coil 24V, with transformer, 10A at 600V (2-wire only)	✓	✓
ODL-TB6	Single-pole bi-metal thermostat: 25A at 120V, 208V, 240V - 10A at 347V, 600V	✓	✓
ODL-TB26 ³	Double-pole bi-metal thermostat: 25A at 120V, 208V, 240V - 10A at 347V, 600V	✓	✓
ODL-TB6-AV	Single-pole bi-metal tamperproof thermostat: 25A at 120V, 208V, 240V - 10A at 347V, 600V	✓	✓
ODL-TB26-AV ³	Double-pole bi-metal tamperproof thermostat: 25A at 120V, 208V, 240V - 10A at 347V, 600V	✓	✓
ODL-TRIAC-347	Single-pole electronic relay, coil 24V, without transformer, 15A at 347V max.	✓	✓
ODL-TRIAC-347T	Single-pole electronic relay, coil 24V, with transformer: 15A at 208V, 240V, 347V	✓	✓
ODL-TRIAC-600	Single-pole electronic relay, coil 24V, without transformer, 6A at 600V max.	✓	✓

¹ Wall length = Length - 3/8" (9.5 mm).

² These 2-wire relays with transformer can't supply of 3-wire low voltage thermostats.

³ "Off" position.

⁴ For the U.S. only: The nominal current of the unit must not exceed 80% of the capacity of the disconnect.

Add "BL" for white, "CM" for metallic charcoal.

Optional colors shown in the color chart section are available upon request.

Other voltages available upon request.