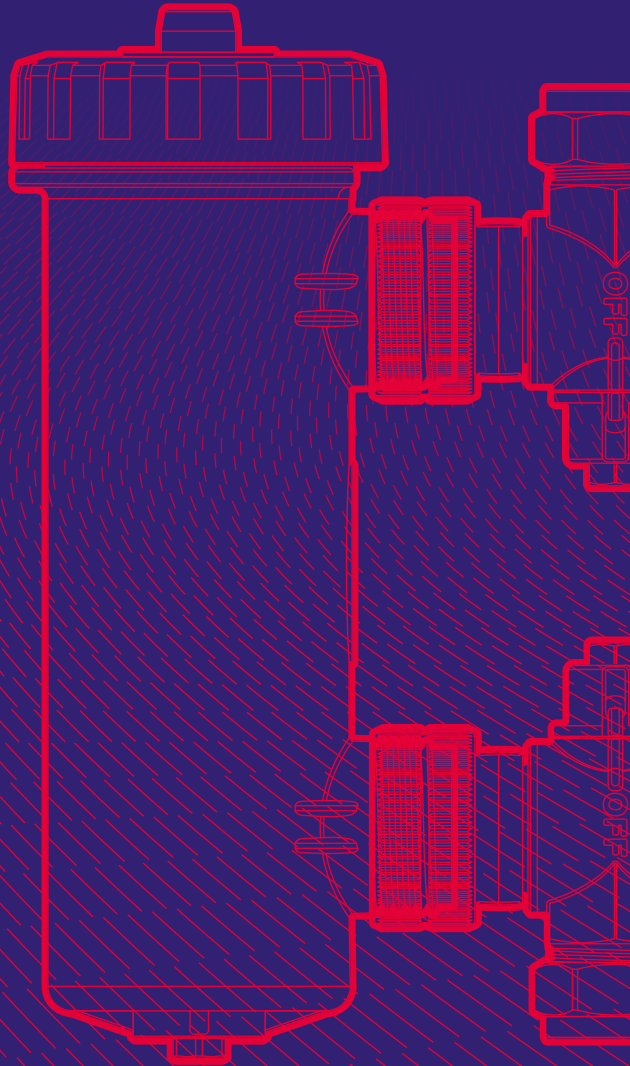




# MagnaClean™

## Professional2XP

### Installation and servicing



# MagnaClean Professional2XP®

MagnaClean Professional2XP has been developed with a greater filter capture capacity providing protection for larger residential hydronic heating systems.

## Important

The following instructions are designed to support contractors in the safe and effective installation and servicing of MagnaClean Professional2XP and should be followed at all times. It is recommended that the filter is installed by a qualified heating contractor. The lid seal should be checked for wear when servicing MagnaClean®. It is Best Practice to replace the lid seal at each service. To arrange replacements please email the ADEY Team at [info@adeyusa.com](mailto:info@adeyusa.com).

### CAUTION:



MagnaClean filter contains a strong magnet. Keep away from all electrical devices, bank cards and other magnetic devices.



MagnaClean filter contains a strong magnet. Caution should be taken at all times when handling if you have a pacemaker fitted.



MagnaClean filter is a pressurized device. Always release pressure before servicing.



Unit may be hot in operation. Handle with care.



**IMPORTANT** - Always follow the electrical and safety standards when installing a MagnaClean filter ensuring pipework is appropriately earth bonded either side of the filter.



**WARNING** - Cancer and reproductive Harm  
[www.P65Warnings.ca.gov](http://www.P65Warnings.ca.gov)

For the most up to date version of the MagnaClean Professional2XP Installation and Servicing instructions visit [adey.com/us](http://adey.com/us). Warranty Terms & Conditions can be found at [adey.com/us/support/register-warranty](http://adey.com/us/support/register-warranty)

Maximum working pressure: 87 PSI

Maximum working temperature: 95°C / 203°F

Flow rate: <21 gal/min

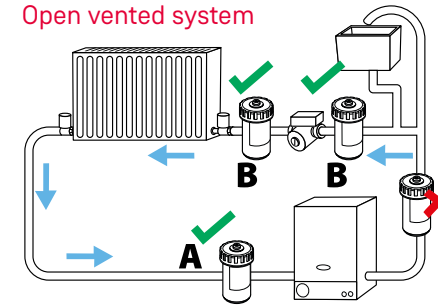
Inlet: Bi-directional

Always re-dose the system with a suitable protector such as ADEY MC1+® Hydronic Heating System Protector

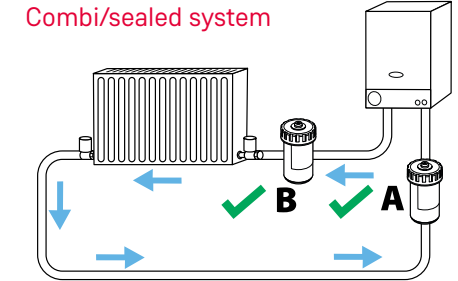
## Installation overview

MagnaClean Professional2XP can be installed anywhere before the boiler. To achieve the best level of protection, it is recommended that the filter is fitted after the last radiator and before the boiler. This also ensures a system flush can be carried out using a MagnaCleanse® on the return (position A only).

Open vented system

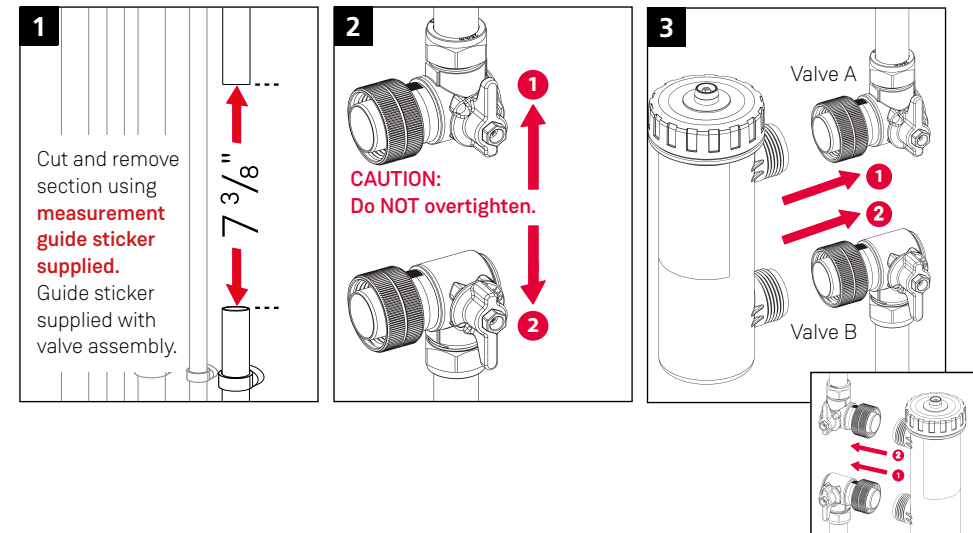


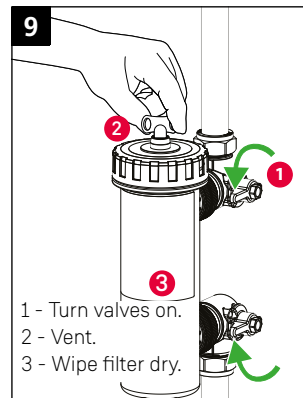
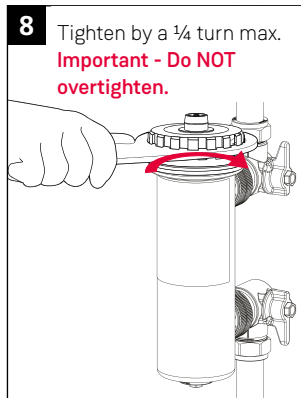
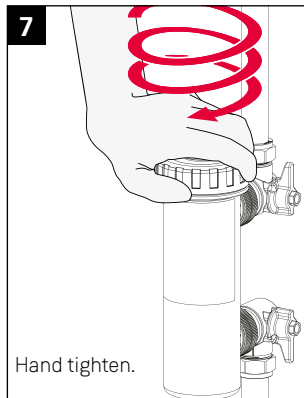
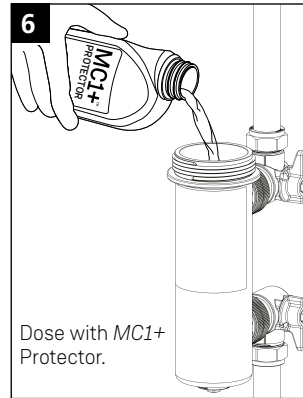
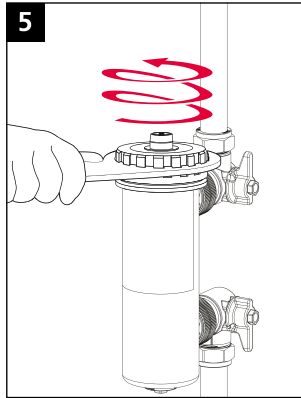
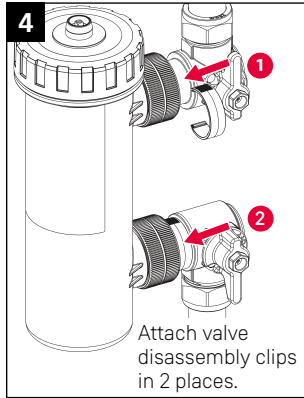
Combi/sealed system



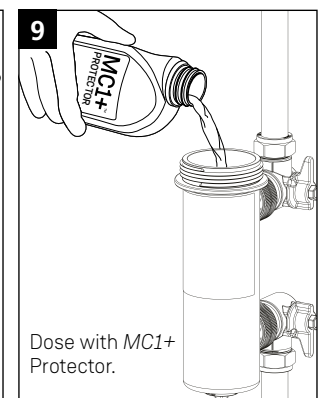
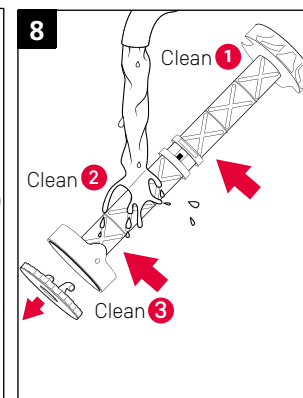
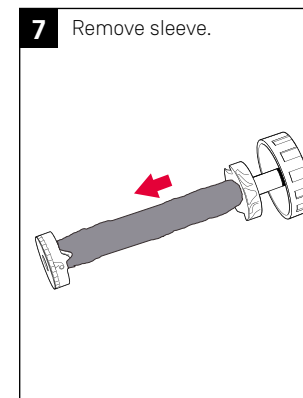
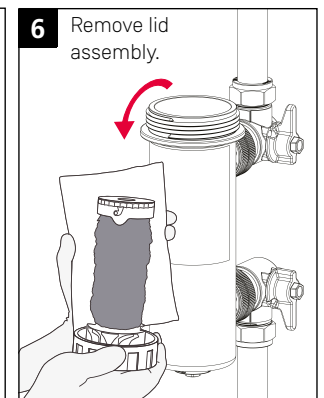
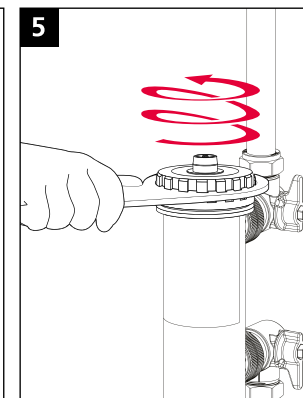
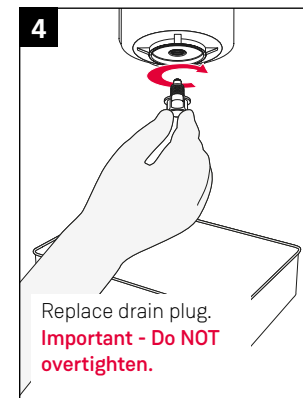
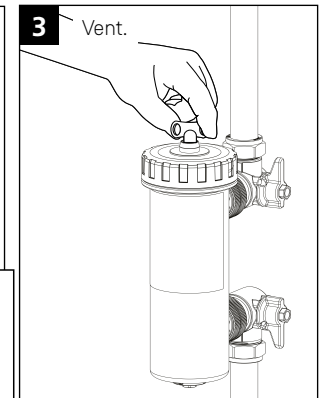
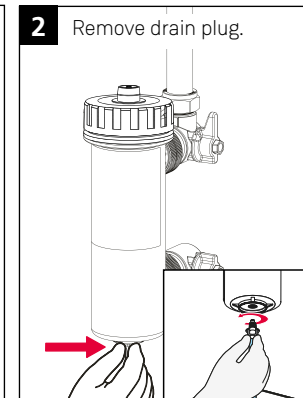
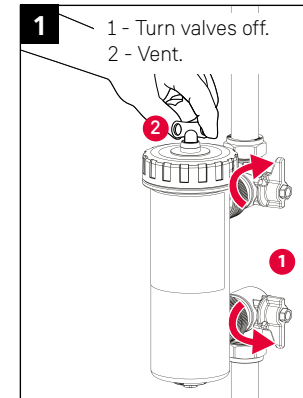
Note: In both diagrams, position A is best practice, Position B is suitable if space is tight on the return.

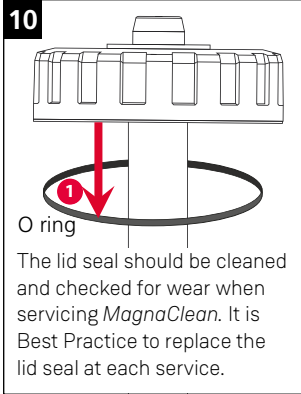
## New filter installation - Always ensure the filling loop is fitted after the filter.



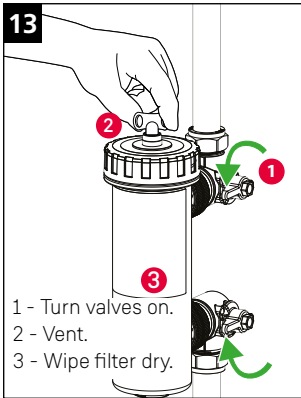
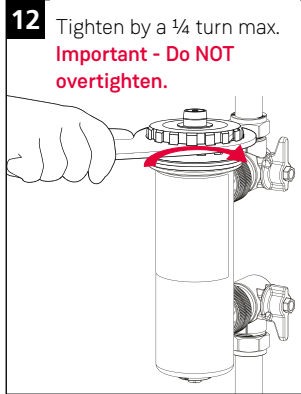
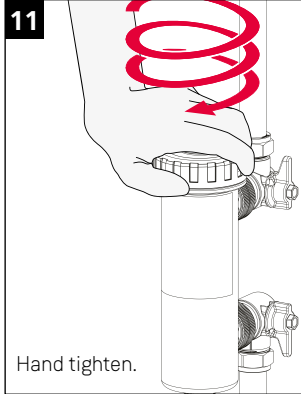


## Servicing



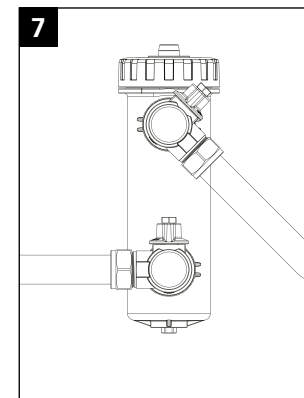
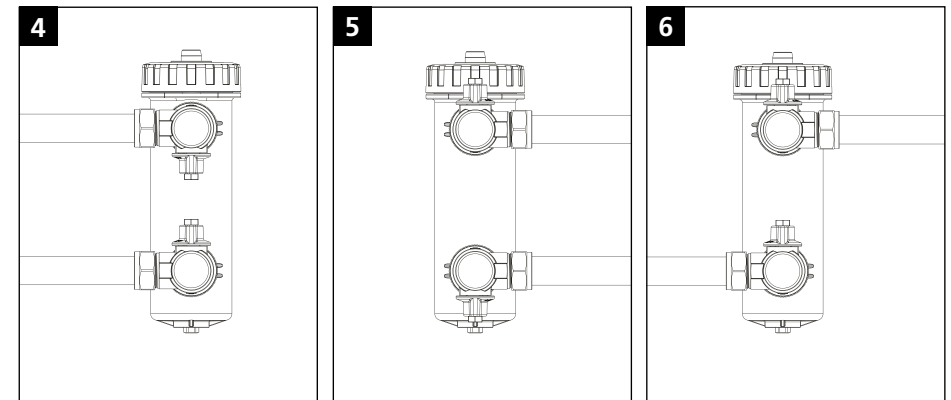
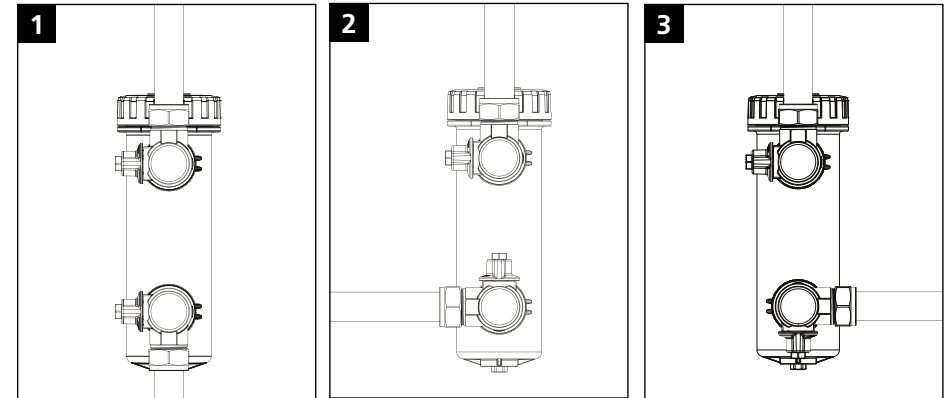


Only use Silicon grease or water to lubricate O ring.  
**Do not use flux or EP grease.**



## Multiple installation options

*MagnaClean Professional2XP* has been designed as a Bi-directional flow filter. The inline design and 360° rotational valves provide multiple installation options for both vertical and horizontal pipework. This ensures greater flexibility within the tightest working environments.





Clean



MagnaCleanse



MagnaClean



Protect



Test



Maintain

™

# ADEY™

Telephone: +1 412 406 8292 Email: [info@adeyusa.com](mailto:info@adeyusa.com)

[www.adey.com/us](http://www.adey.com/us)



Produced from recycled material  
A carbon neutral company

For the most up-to-date version of installation and serving instructions visit [www.adey.com/us](http://www.adey.com/us)

All ADEY marks are trademarks of Adey Holdings (2008) Limited. Please visit [adey.com/trademarks](http://adey.com/trademarks) for a list of ADEY marks  
Copyright Adey Holdings (2008) Limited © 2019. All rights reserved.