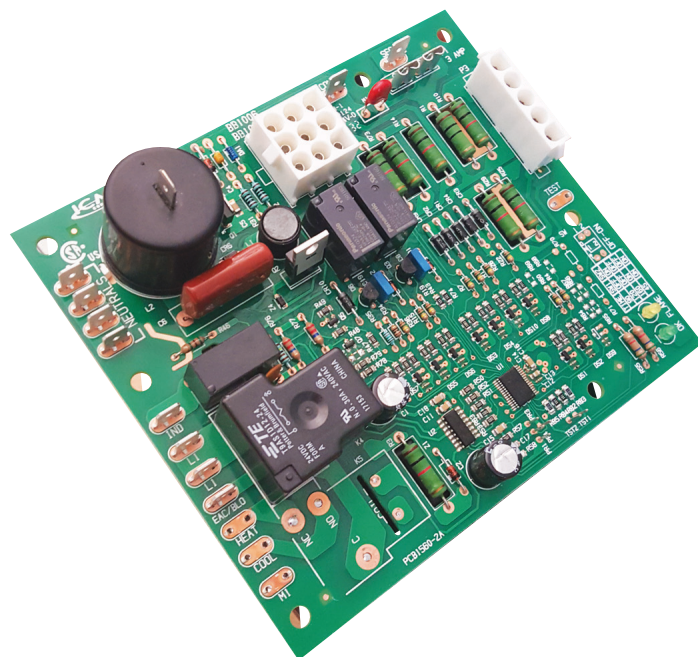




Features

- Direct Spark Ignition (DSI) control board
- Microprocessor-based
- Controls inducer motor, blower motor, air cleaner (if equipped), spark ignitor and the gas valve
- Monitors timing, trial for ignition, system switches, flame sensing and lockout
- Compatible with LP or natural gas
- LED indication for status and fault codes to aid in troubleshooting



Specifications

Input

Voltage: 18-30 VAC

Frequency: 60 Hz

Outputs

Inducer blower

Type: Relay

Rating: 1/6 HP @ 125 VAC

Gas Valves

Type: Relay

Rating: 1A @ 24 VAC

Blower

Type: Relay

Rating: 1/4 HP @ 125 VAC

Environmental

Operating Temperature: -40°F to 165°F (-40°C to 74°C)

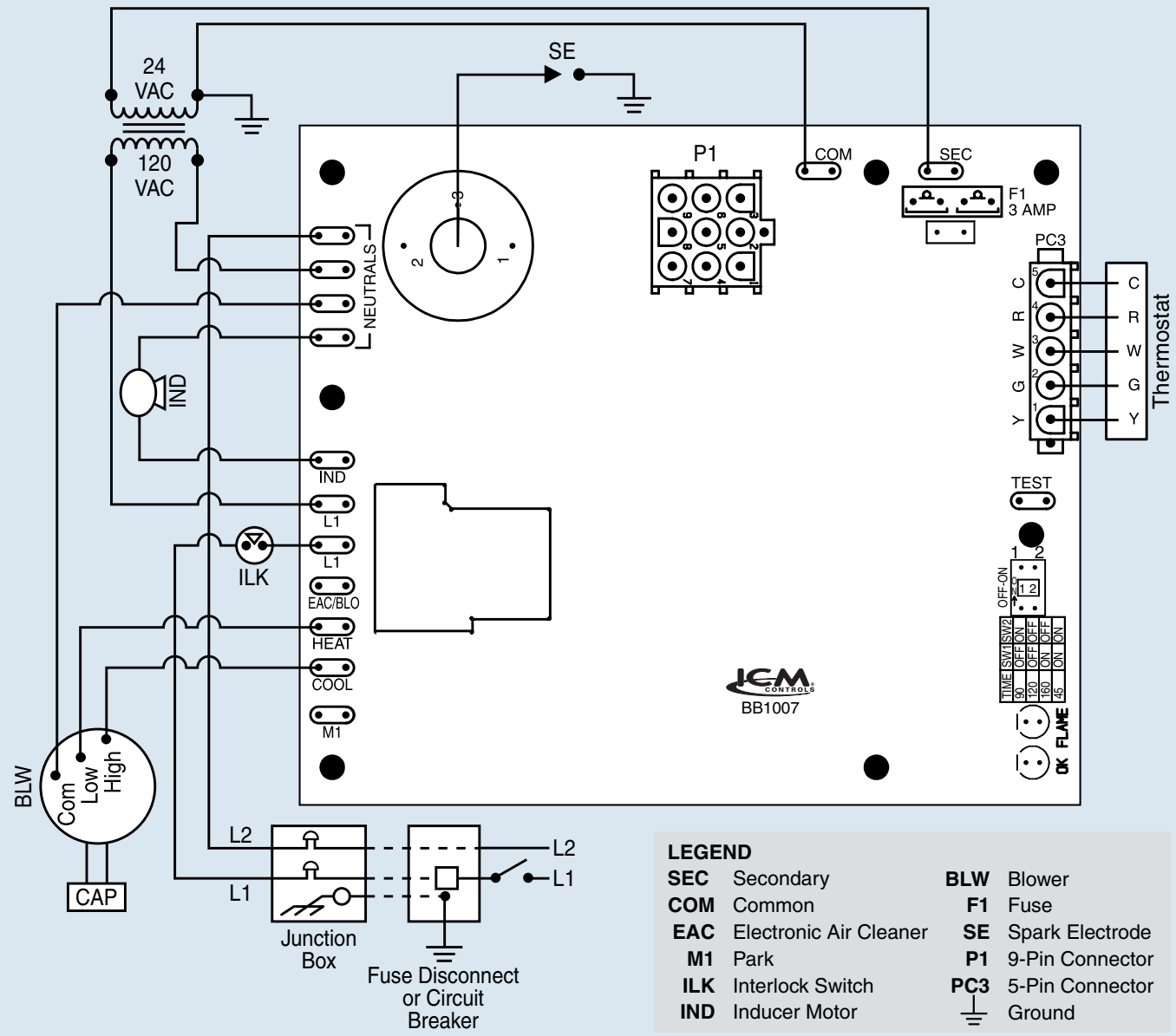
Mechanical

Dimensions: 14.5" x 5"

Replaces

Reznor: 195265

Wiring Diagram



LEGEND

SEC Secondary	BLW Blower
COM Common	F1 Fuse
EAC Electronic Air Cleaner	SE Spark Electrode
M1 Park	P1 9-Pin Connector
ILK Interlock Switch	PC3 5-Pin Connector
IND Inducer Motor	Ground