

GE08SNHPDG/GE11SNHPDG/GE15SNHPDG

GE[®] Tankless Electric Water Heater

DIMENSIONS AND INSTALLATION INFORMATION (IN INCHES)

LOCAL INSTALLATION REGULATIONS:

This water heater must be installed in accordance with these instructions, local codes, utility codes, utility company requirements or, in the absence of local codes, the latest edition of the National Electrical Code. It is available from some local libraries or can be purchased from the National Fire Preventions Association, Batterymarch park, Quincy, MA 02169 as booklet ANSI/NFPA 70.

INSTALLATION INFORMATION: For complete information, see installation instruction packed with your water heater.

POWER REQUIREMENTS: Check the markings on the rating plate of the water heater to be certain the power supply corresponds to the water heater requirements.

LOCATION: Locate the water heater in a clean dry area as near as practical to the area of the greatest heated water demand. Long uninsulated hot water lines can waste energy and water.

REQUIRED CLEARANCES: The controls and plumbing connections at front of unit must have clear access for operation and service. There must be sufficient clearance between any object at the top, rear and sides of the water heater in the event service is needed.

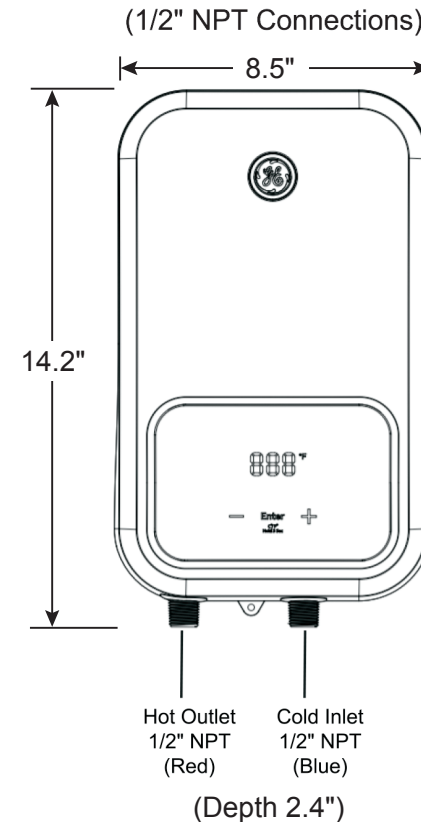


Illustration intended for dimensional reference only. Refer to photograph for actual product appearance



For answers to your GE Profile™ or GE Appliances product questions, visit our website at geappliances.com or call GE Answer Center® Service, 800.626.2000.



Intertek

CONFORMS TO
NSF/ANSI 372



Intertek

CONFORMS TO UL STD. 499
CERTIFIED TO CSA STD. C22.2 NO. 64



GE08SNHPDG/GE11SNHPDG/GE15SNHPDG

GE® Tankless Electric Water Heater

FEATURES AND BENEFITS

Unlimited Hot Water on Demand – Tankless electric water heater provides instant, continuous water flow

Point of Use – Installs at the point of use, for hot water where you need it

Performance –

-Up to 1.7 Gallons Per Minute (GPM*) Enough to run 3 faucets simultaneously or 1 shower in warm climates (GE08)†

-Up to 2.5 Gallons Per Minute (GPM*) Enough to run 2 faucets and 1 shower simultaneously in warm climates (GE11) †

-Up to 2.9 Gallons Per Minute (GPM*) Enough to run 2 faucets and 1 shower simultaneously in warm climates (GE15) †

Remote Control – Conveniently change temperature settings and control your unit from up to 30' away

Intuitive Design – Adjust temperature and settings with easy-use touch screen

Energy Efficient – Conserves energy and water by only using energy when hot water is in use, saving you money

Space Saver – Compact design takes up significantly less space than a tank style water heater

Scale Reduction Technology – Extends the life of the unit by shielding heating element from water and scale buildup

Self Modulating Technology – Utilizes inlet and outlet temperature sensors to optimize energy usage and keep water temperature consistent

Easy Installation

Digital Temperature Control

Warranty - 5-year Limited Replacement Warranty**

Model GE08SNHPDG – Diamond Grey

Model GE11SNHPDG – Diamond Grey

Model GE15SNHPDG – Diamond Grey

*Results are based on 72°F inlet water temperature and 105°F outlet water temperature

**See written warranty for full details

†Faucet represents a fully opened sink faucet with a flow rate of 0.5 GPM. Shower represents a fully opened shower head with a flow rate of 1.5 GPM

